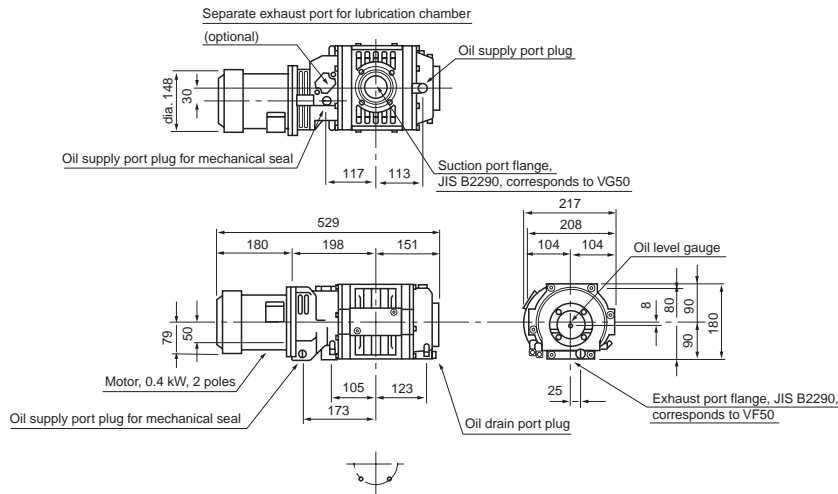
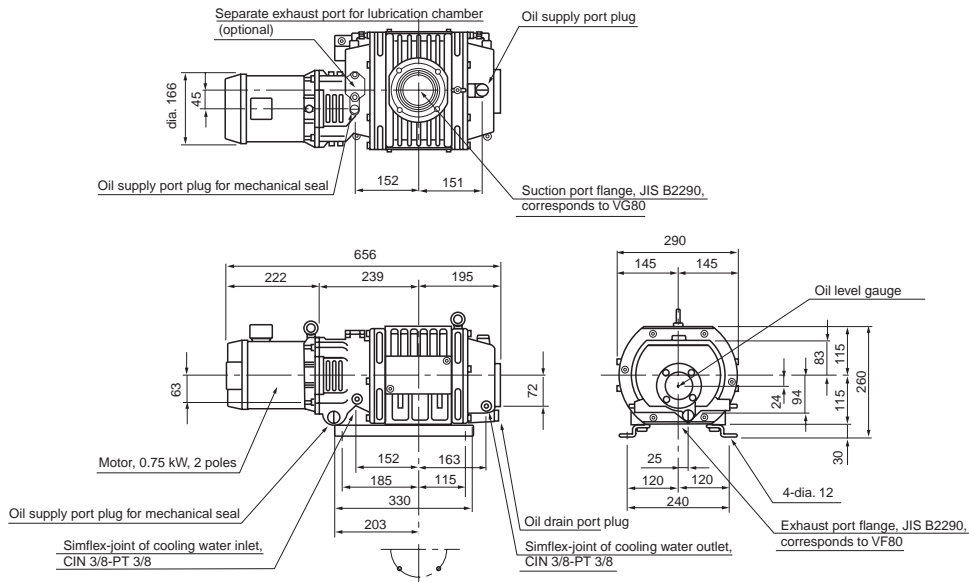


Mechanical Booster Pump PRC-A Series, PMB-B, C (M) Series

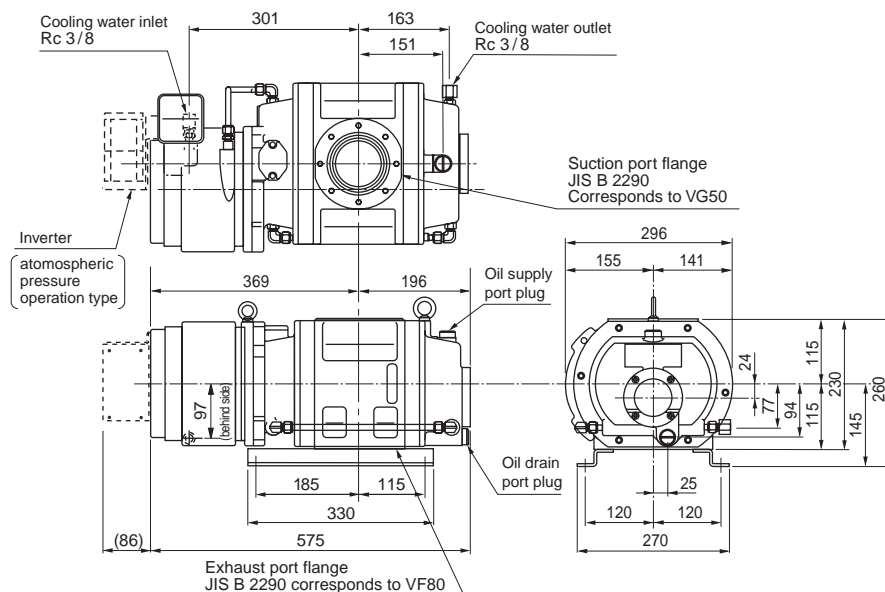
PMB-001C (M)



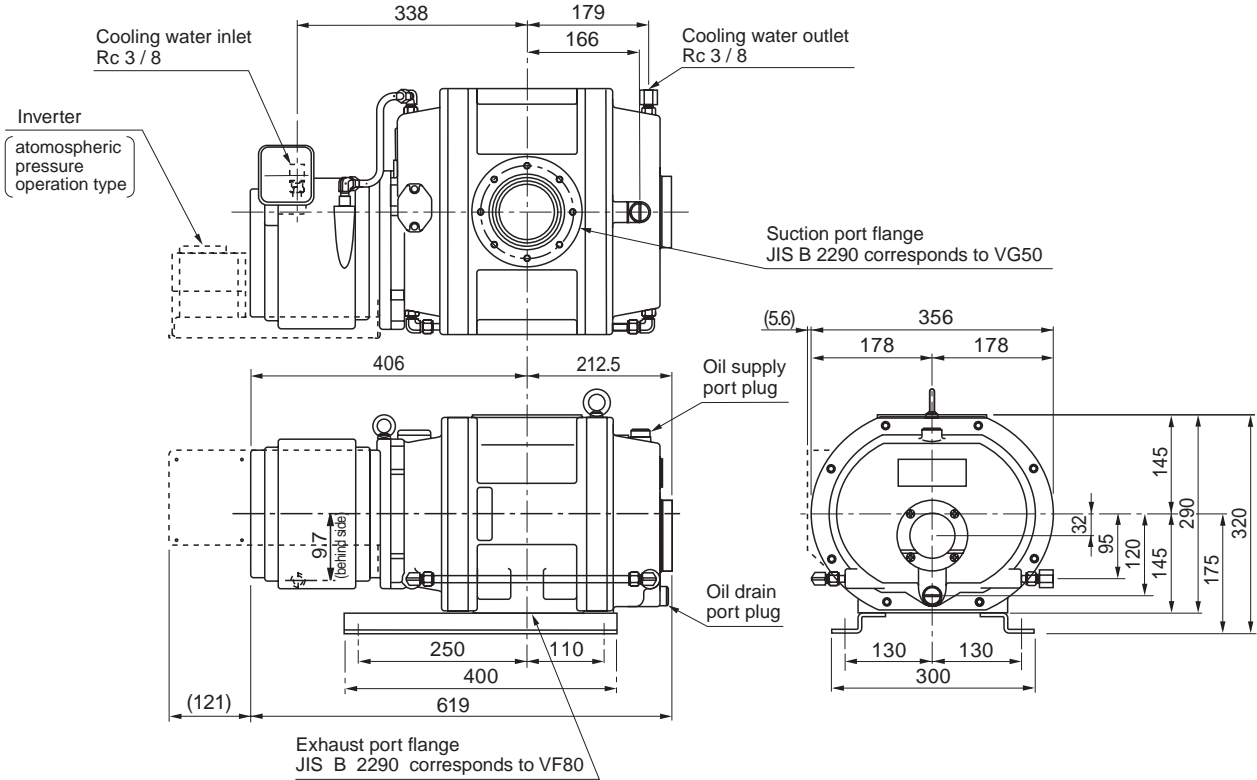
PMB-003C (M)



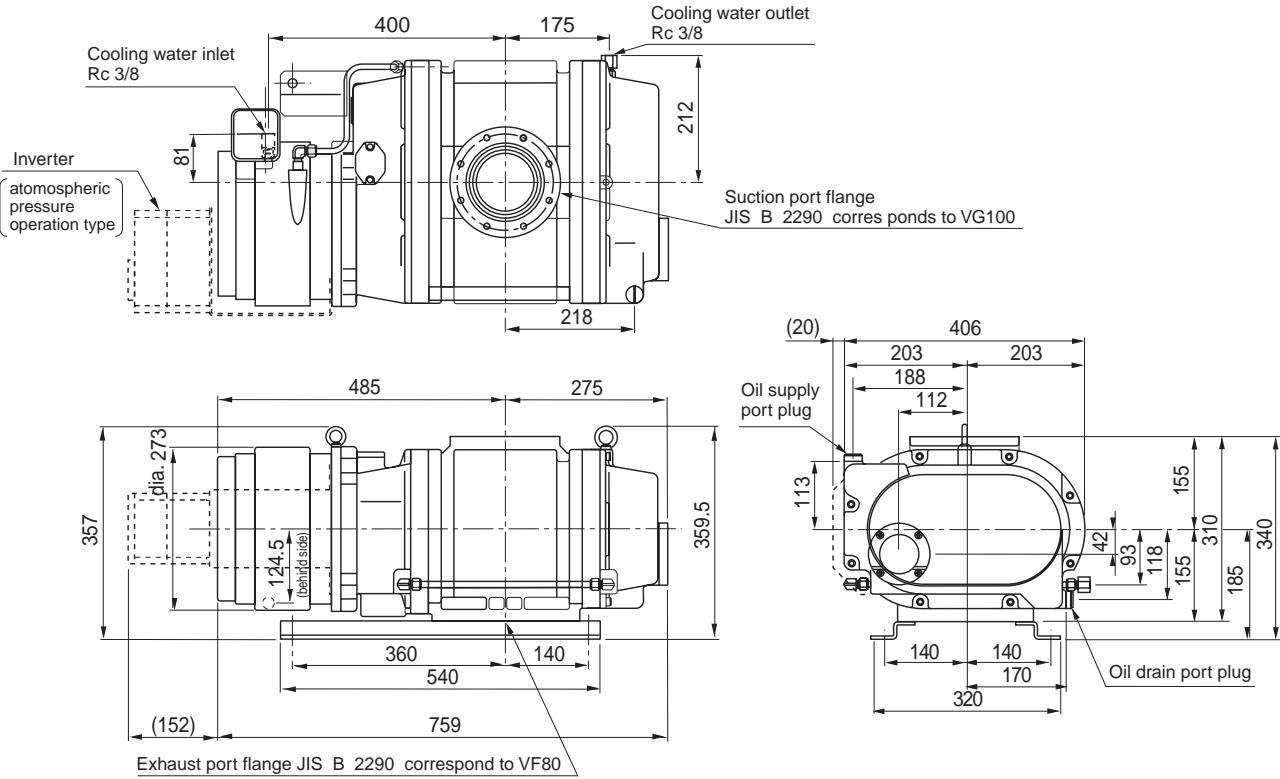
PRC-003A (atmospheric pressure operation type)



PRC-006A (atmospheric pressure operation type)

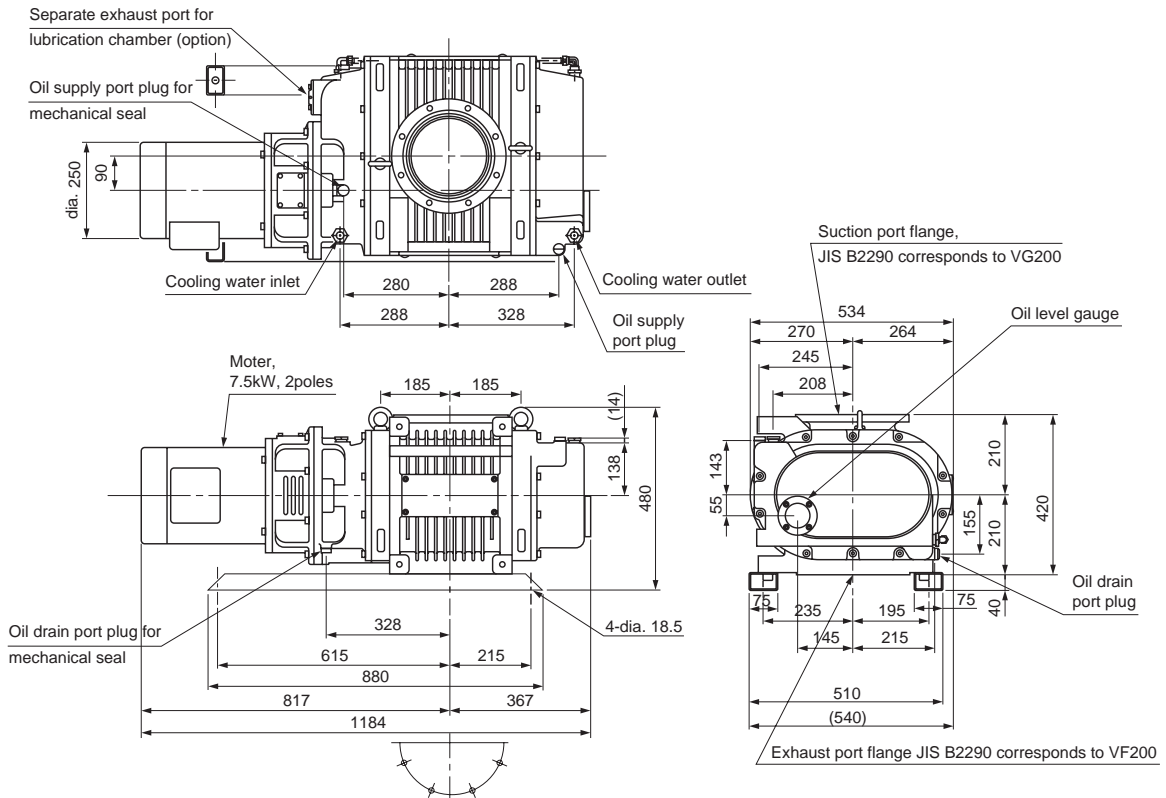


PRC-012A (atmospheric pressure operation type)

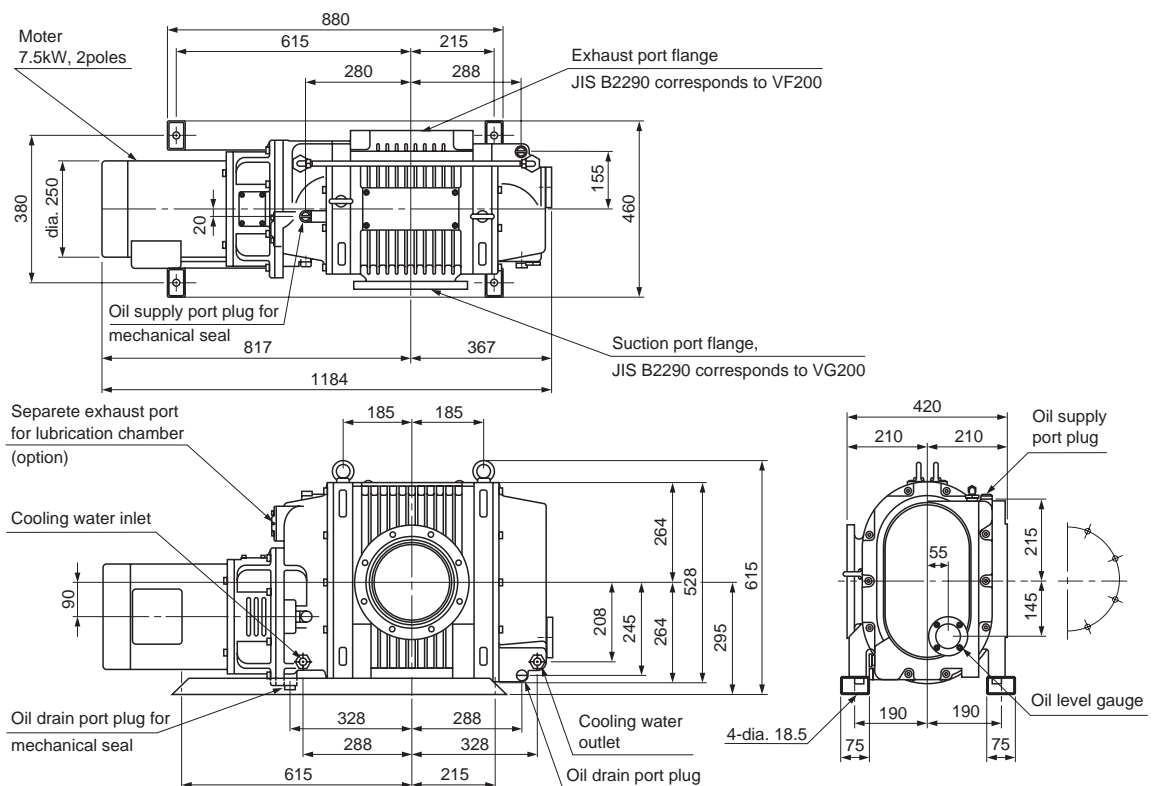


Mechanical Booster Pump PRC-A Series, PMB-B, C (M) Series

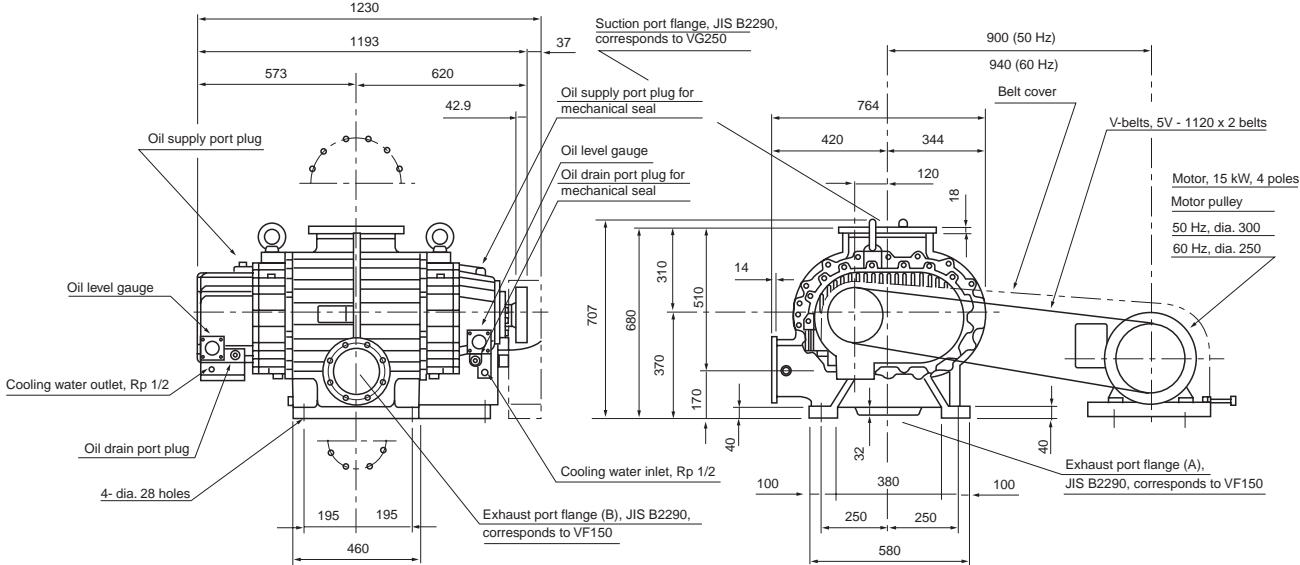
PMB-024 (M) Vertical Exhaust Model



PMB-024 (M) Horizontal Exhaust Model

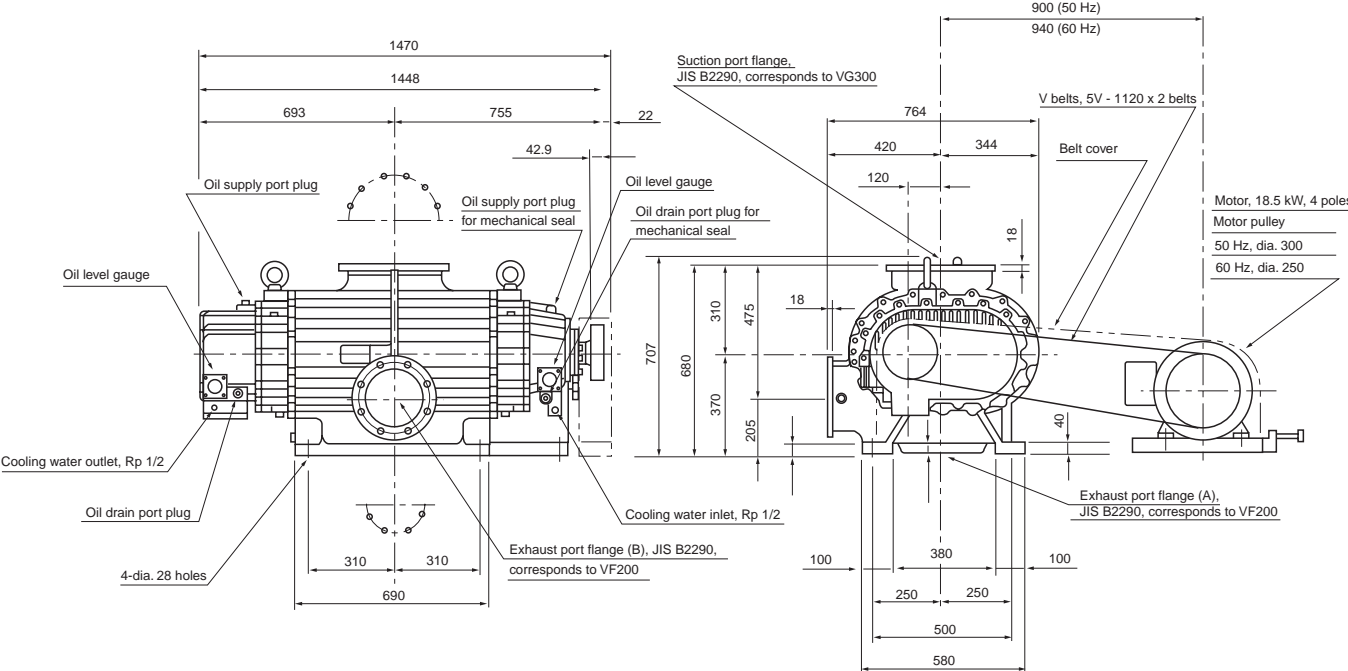


PMB-040B



Note) Maintenance space; 290

PMB-060B



Note) Maintenance space; 3700